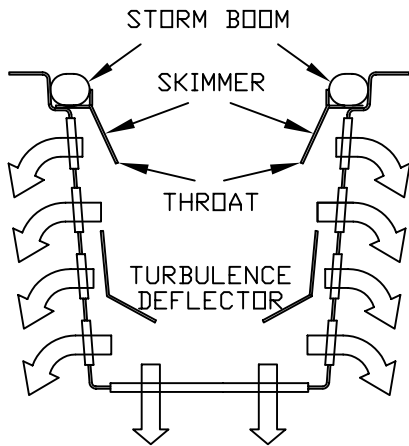
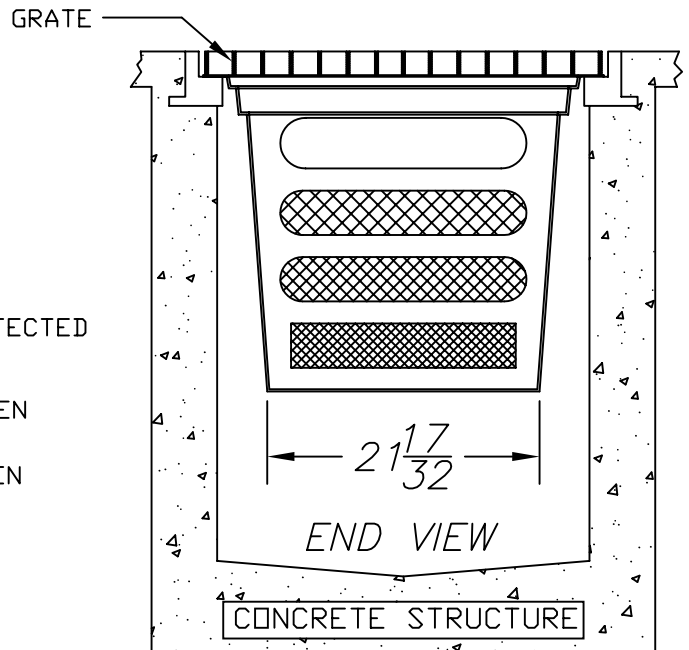
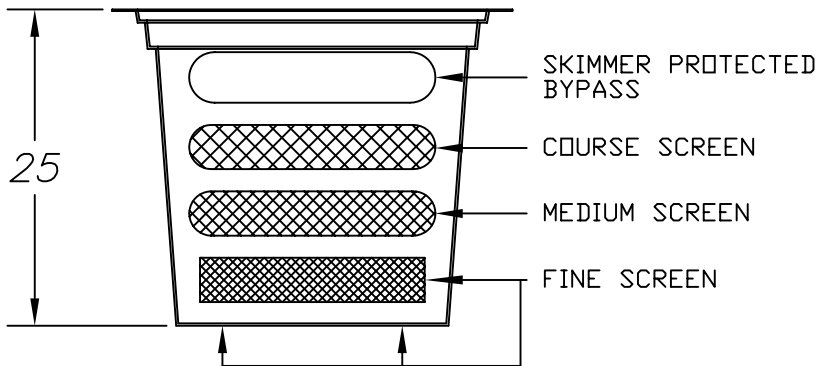


FLOW SCHEMATIC



SIDE VIEW



Flow Specifications

Description of filter opening	Percent Open Based on Screen Dimensions	Total Square Inches per Unit	Square Inches of Total Unobstructed Openings	Flow Rate (Cubic Feet per Second)
Skimmer protected By-Pass	100%	209.6	209.6	6.4 cfs
Course Screen 3/4" x 1-3/4" stainless steel flattened expanded	75%	209.6	157.2	6.3 cfs
Medium Screen 10x10 mesh stainless steel	42%	209.6	88	4.2 cfs
Fine screen 50 x 50 mesh stainless steel	12%	607.0	72.8	3.2 cfs

THROAT FLOW RATE

Total: 10.7 cfs

SCREEN TREATED FLOW RATE

Total: 13.7 cfs

FLOW RATES BASED ON UNOBSTRUCTED OPENINGS IN SCREEN

Nashville Metro: Fine screen will treat 1.6 cfs before medium screen comes in contact with water flow with zero head pressure.

BOX MANUFACTURED FROM MARINE GRADE FIBERGLASS & GEL COATED FOR UV PROTECTION

5 YEAR MANUFACTURERS WARRANTY

PATENTED

ALL FILTER SCREENS ARE STAINLESS STEEL

Distributed By: JenHill  
1-800-452-4435

GRATE INLET SKIMMER BOX FOR  
NASHVILLE STANDARD TYPE K DR-132

Part # GISB-NK-32-32-25

All Dimensions are in inches, unless otherwise noted.

Scale:  
none

Suntree Technologies Inc.

798 Clearlake Road  
Cocoa, Florida 32922

PH: 321-637-7552  
Fax: 321-637-7554